

doNC

CNC simulator software

doNC CNC simulator enables training on CNC machine operation on a PC, safely and economically – same concept as pilot training on a flight simulator. Train on CNC machining centers and lathes, on multiple controllers, at 1 % of the cost of the actual machines, with zero consumables cost.

For training on CNC machine operation in:

- Diploma, BE levels.
- Trade schools with NCVT ITI, NOS syllabi.
- Industries.

What you can do with doNC

What the student learns

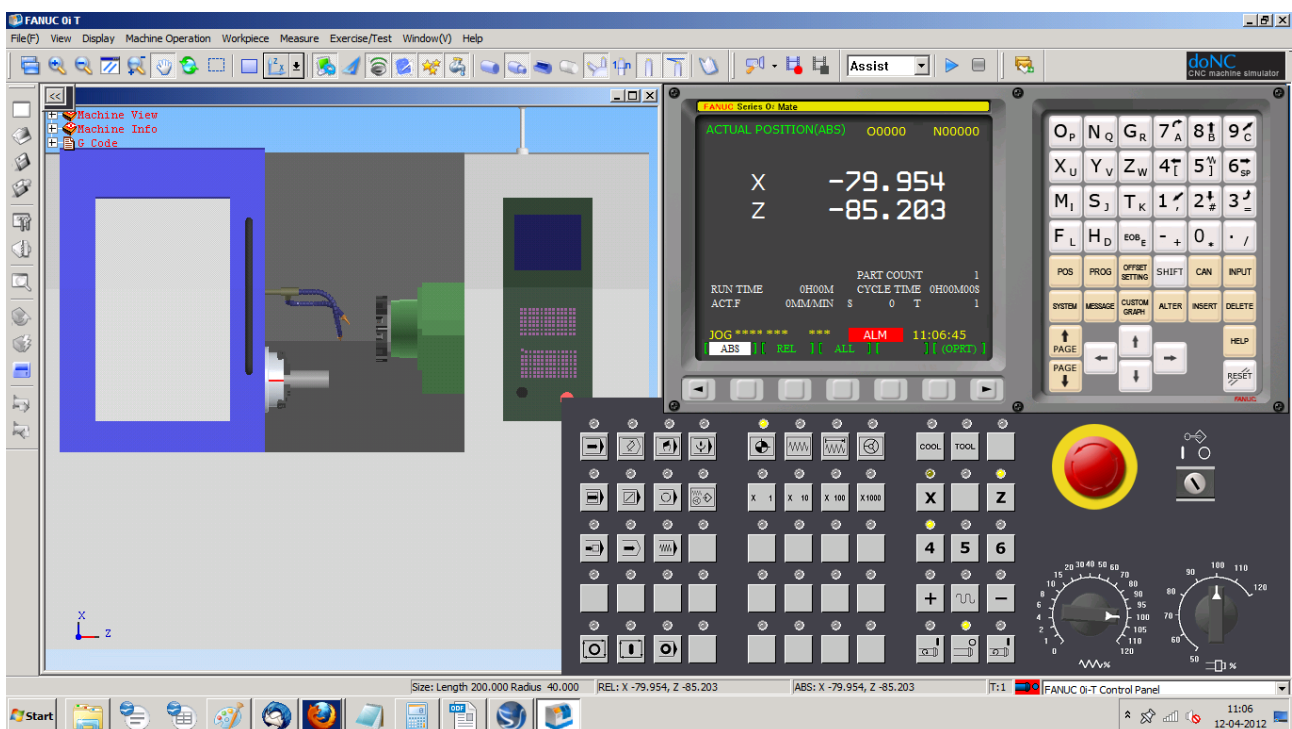
- CNC machine operation for CNC lathes and CNC machining centers
- Operation of a variety of CNC systems and control panels
- Starting and stopping the machine, zero reference
- Setting tool and work offsets
- Program entry and editing
- Using Jog, MDI modes
- Function and usage of all console keys
- Running programs in memory mode
- Setting wear offsets
- Safety – avoiding collisions, overtravel, door closing

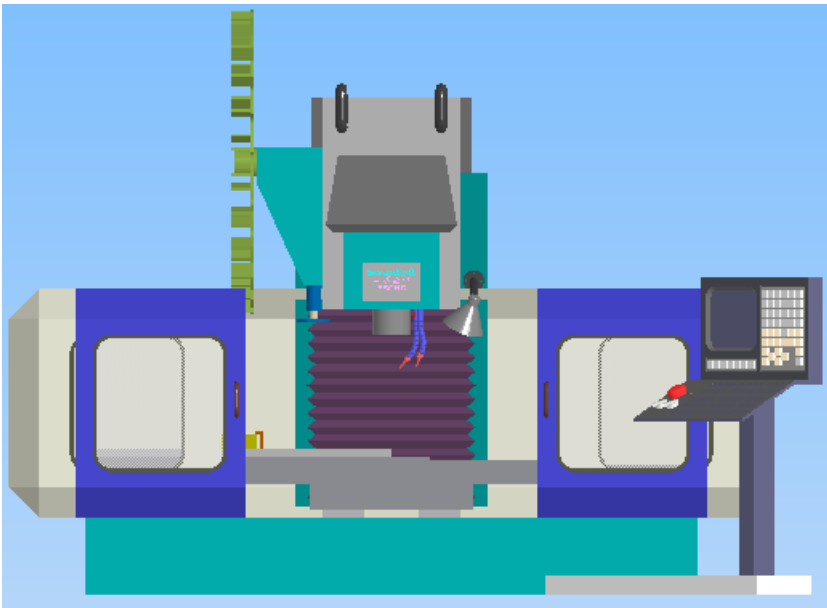
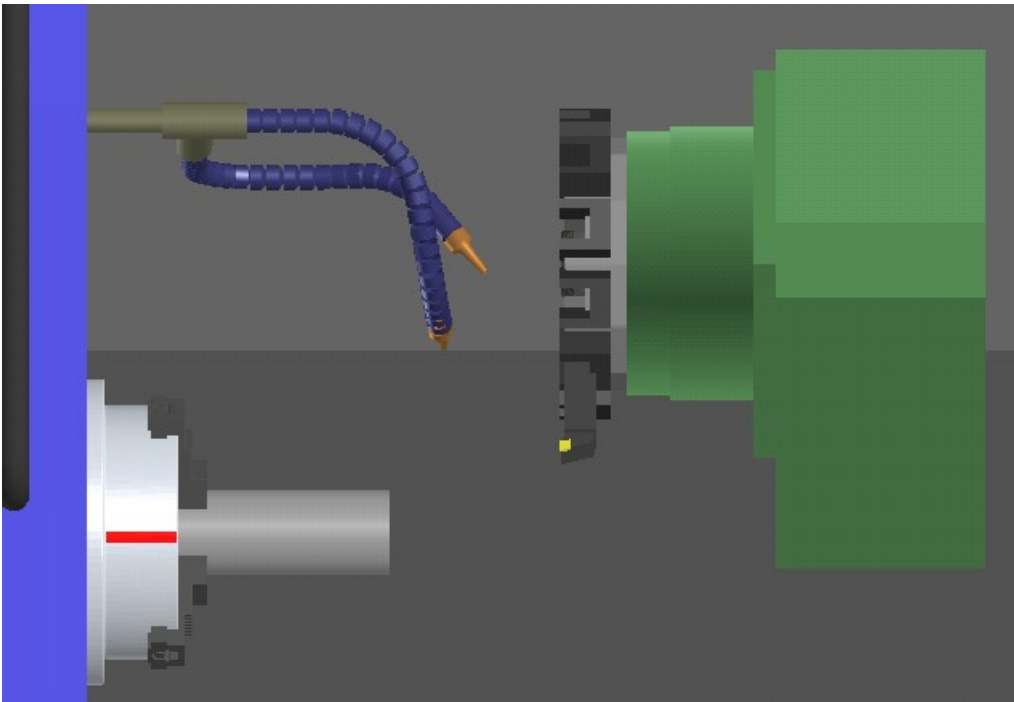
doNC features

- Simulation of all console operations – MDI, JOG, Edit, Auto, Reset, etc.
- Simulation of door open/close, spindle on/off, collisions.
- Realistic simulation of spindle rotation, chips, coolant
- CNC machine simulation in 3D graphics
- Simulation of running CNC programs with canned cycles, macros
- Inspection with vernier, micrometer
- Improve realism by using touch screen and dual monitors
- Capture and replay video for detailed investigation

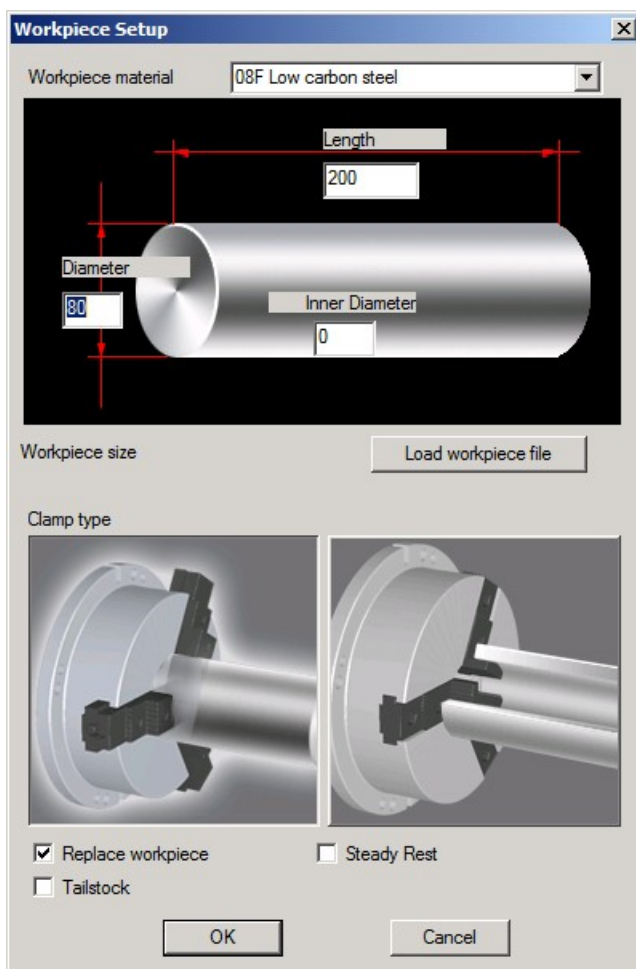
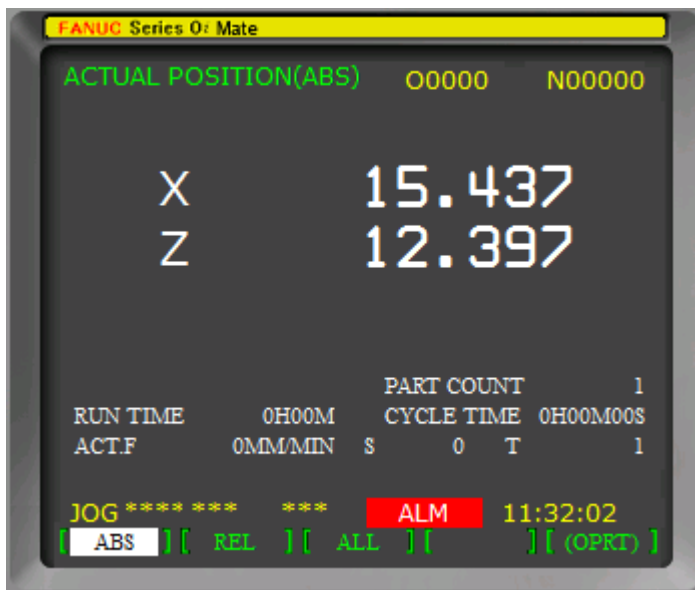
- Realistic simulation of spindle rotation, chips, coolant
- Conduct automated online tests, automated lab exercises
- Tools database customizable by user
- ATC can be configured for horizontal / vertical orientation
- On-screen measurement for tool offsets setting
- Roughness measurement based on cutting parameters

Screen shots of software









Matches CNC education syllabi

NCyclo suits CNC training software requirement for ITI, CGSC NOS, Diploma and BE.

NCVT ITI

ITI syllabus for the trades Turner, Machinist, and Operator Advanced Machine Tool

doNC CNC simulator meets this requirement in the syllabus: "Virtual machine operation and simulation using popular operation control system such as Fanuc, Siemens, etc."

CITS syllabus requirement for machining-related related trades

doNC CNC simulator meets this CITS syllabus requirement "Virtual machine operation and simulation using popular operation control system such as Fanuc, Siemens, etc."

Together, CADEM Ncyclo, seeNC an doNC meet the software specifications in the ITI syllabus for the trades Turner, Machinist, and Operator Advanced Machine Tool: "Multimedia teachware / courseware for CNC technology and interactive CNC part programming software for turning & milling with virtual machine operation and simulation using popular operation control system such as Fanuc, Siemens, etc."

CGSC NOS

doNC CNC simulator suits the syllabus requirement for the following Qualification packs:

Operator – Vertical Machining Centre CSC/ Q 0116

CNC Operator Turning CSC/ Q 0115

CNC programmer CSC/ Q 0401

CNC Setter cum operator – Turning CSC/ Q 0120

CNC Setter cum Operator – Vertical Machining Centre – CSC/ Q0123